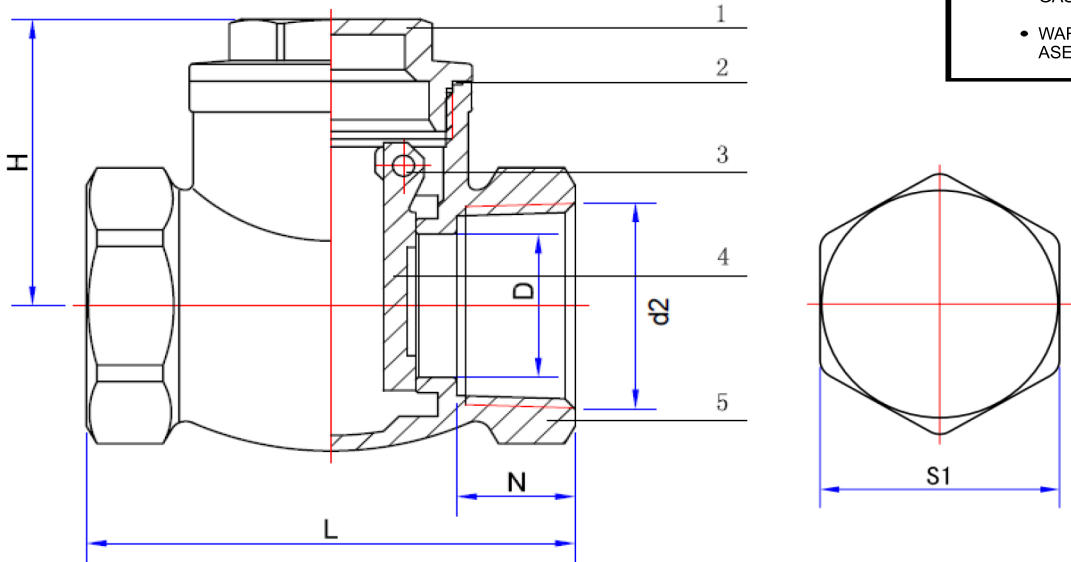


PN16 Brass Swing Check Valve

- ⚠

 - DO NOT USE FOR STEAM
 - DO NOT USE UNDER FREEZE
 - DO NOT USE FOR UNDERGROUND APPLICATION
 - DO NOT USE FOR FLAMMABLE
 - DO NOT USE FOR POISONOUS GAS APPLICATION
 - WARRANTY ONLY APPLIES IN ASEAN



SPECIFICATION

- Brass Body
- BSPT or NPT Threaded End
- Nominal Pressure : 1.6MPa
- Working Temperature : -5~120°C
- Suitable Medium: Water and Oil

MATERIALS

NO	NAME OF PARTS	QTY	MATERIALS
1	CAP	1	BRASS
2	GASKET	1	PTFE
3	HINGE PIN	1	STAINLESS STEEL
4	DISC	1	NBR
5	BODY	1	BRASS

SIZE	d2	DIMENSIONS (mm)			
		H	L	D	S1
DN	BSPT or NPT				
15	1/2	34	52.5	13	26
20	3/4	37	60.5	18.5	31.5
25	1	42	72	23.5	38.5
32	1.1/4	50	82	30.5	49
40	1.1/2	58	95	36	54
50	2	68	107	45	66.5

KITZ VALVE & ACTUATION (MALAYSIA) SDN. BHD.

<https://www.kitz-kvm.com/>

* All or part of the information listed on this sheet may be changed or removed without prior notice.